

**M8 male 90° / M8 female 0°**

PUR 3x0.25 gy UL/CSA+drag chain 1.6m

Male 90° – female straight

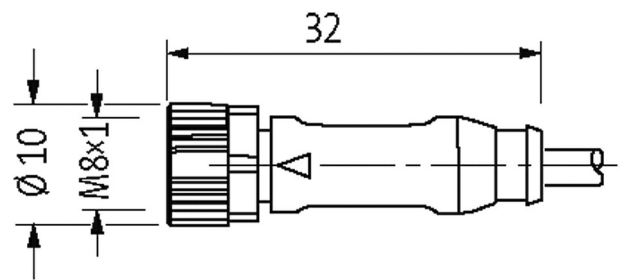
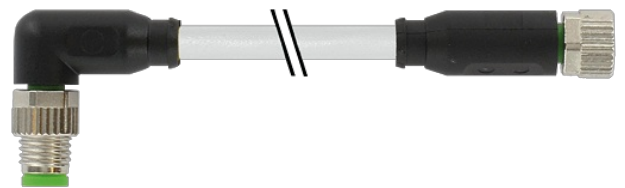
M8 – M8, 3-pole

Art-No. 7005 - M8 Lite - (plastic hexagonal screw) on request

Further cable lengths on request.

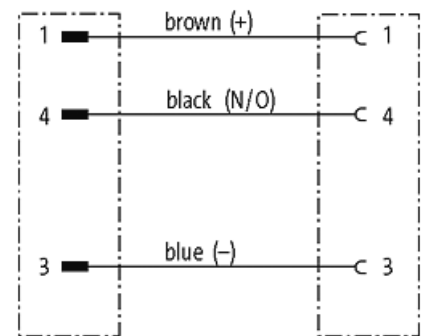
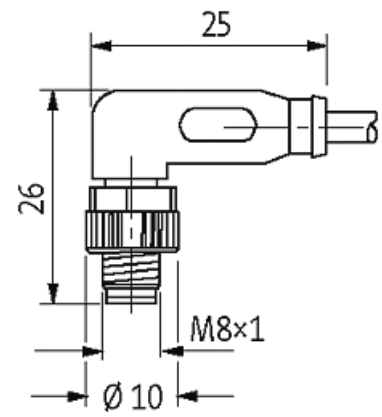
Plastic housings with good resistance against chemicals and oils.

The resistance to aggressive media should be individually tested for your application. Further details on request.

[Link to Product](#)**Illustration**

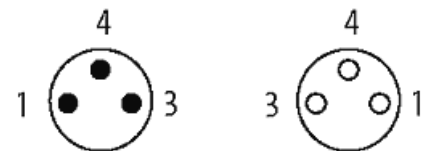
Product may differ from Image

**Sketch**



Male

Female



Product may differ from Image